

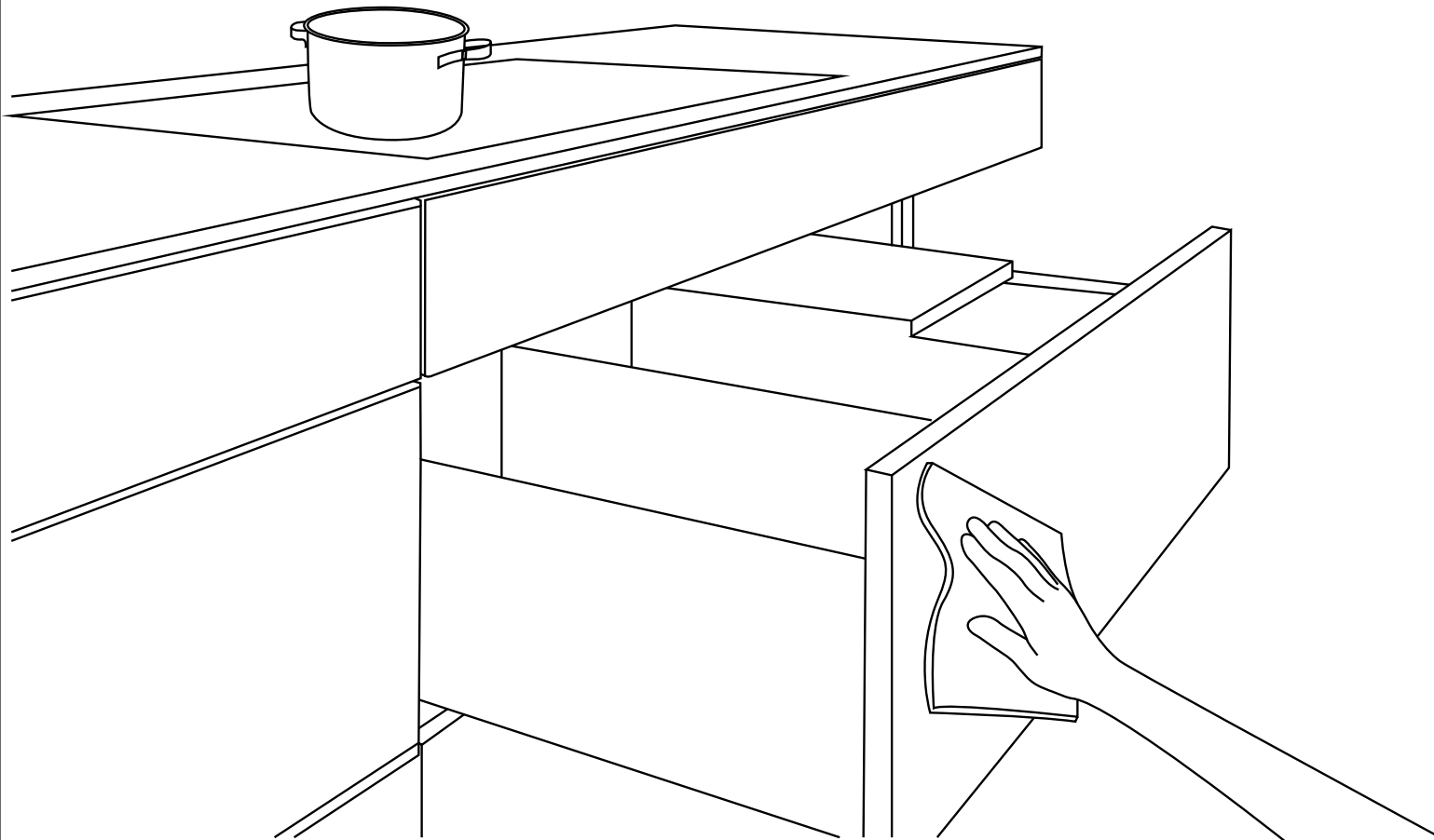


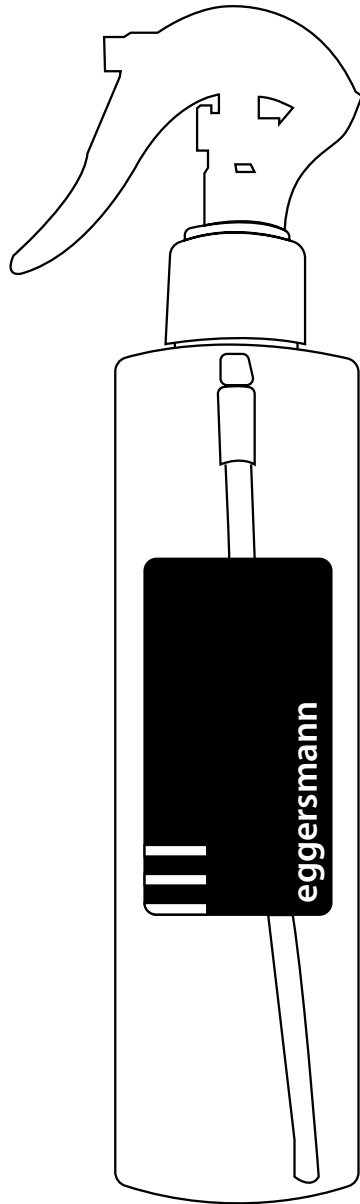
eggersmann maintenance guide



# 1.

Cleaning with a seamless microfiber cloth that doesn't have any dyes or leaves any fibers is recommended. These are available from eggersmann.





## 2.

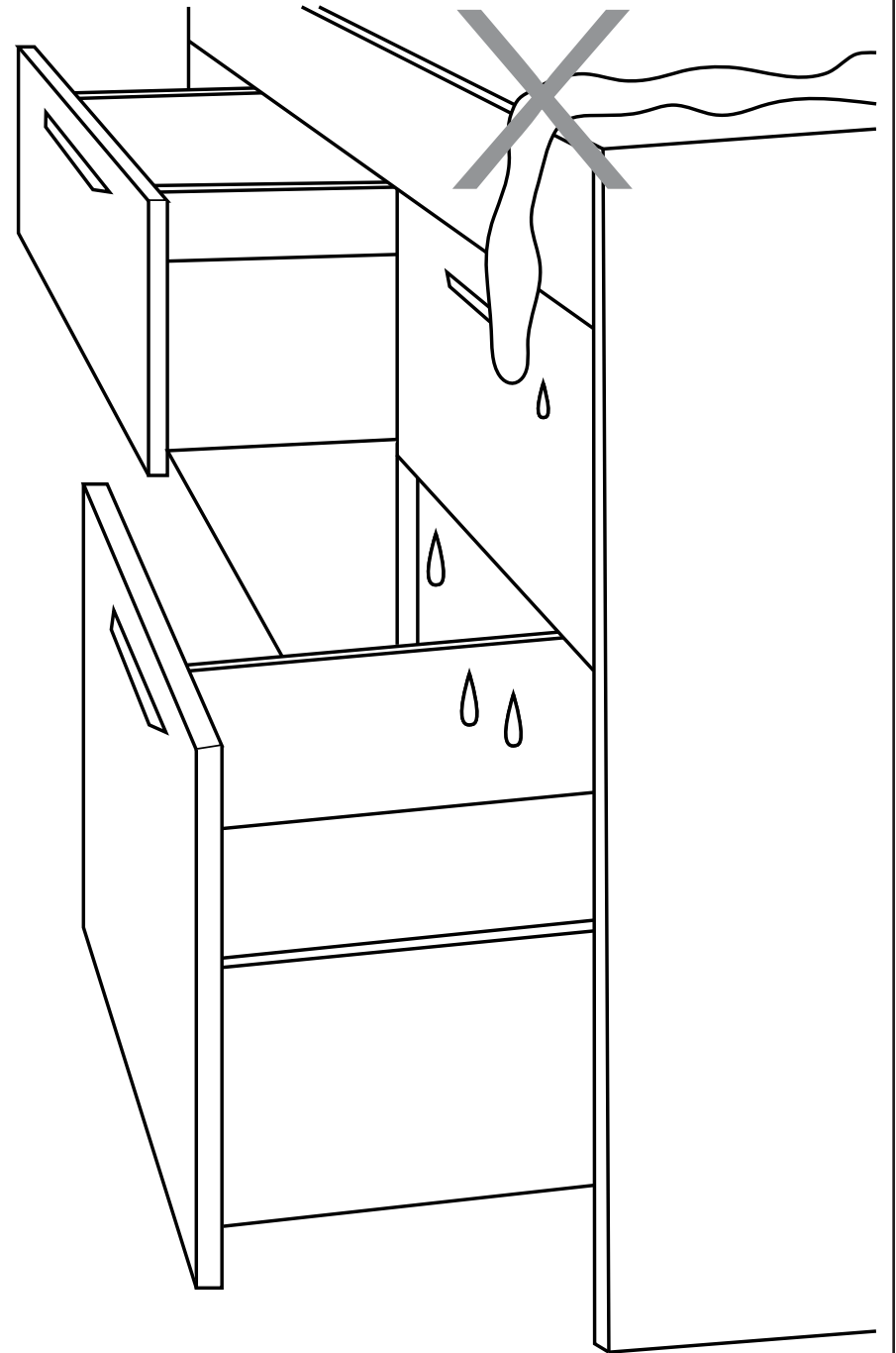
Use mild cleaners and test an inconspicuous area first. We recommend using eggersmann cleaning products. We have created a specialized cleaner for every surface.

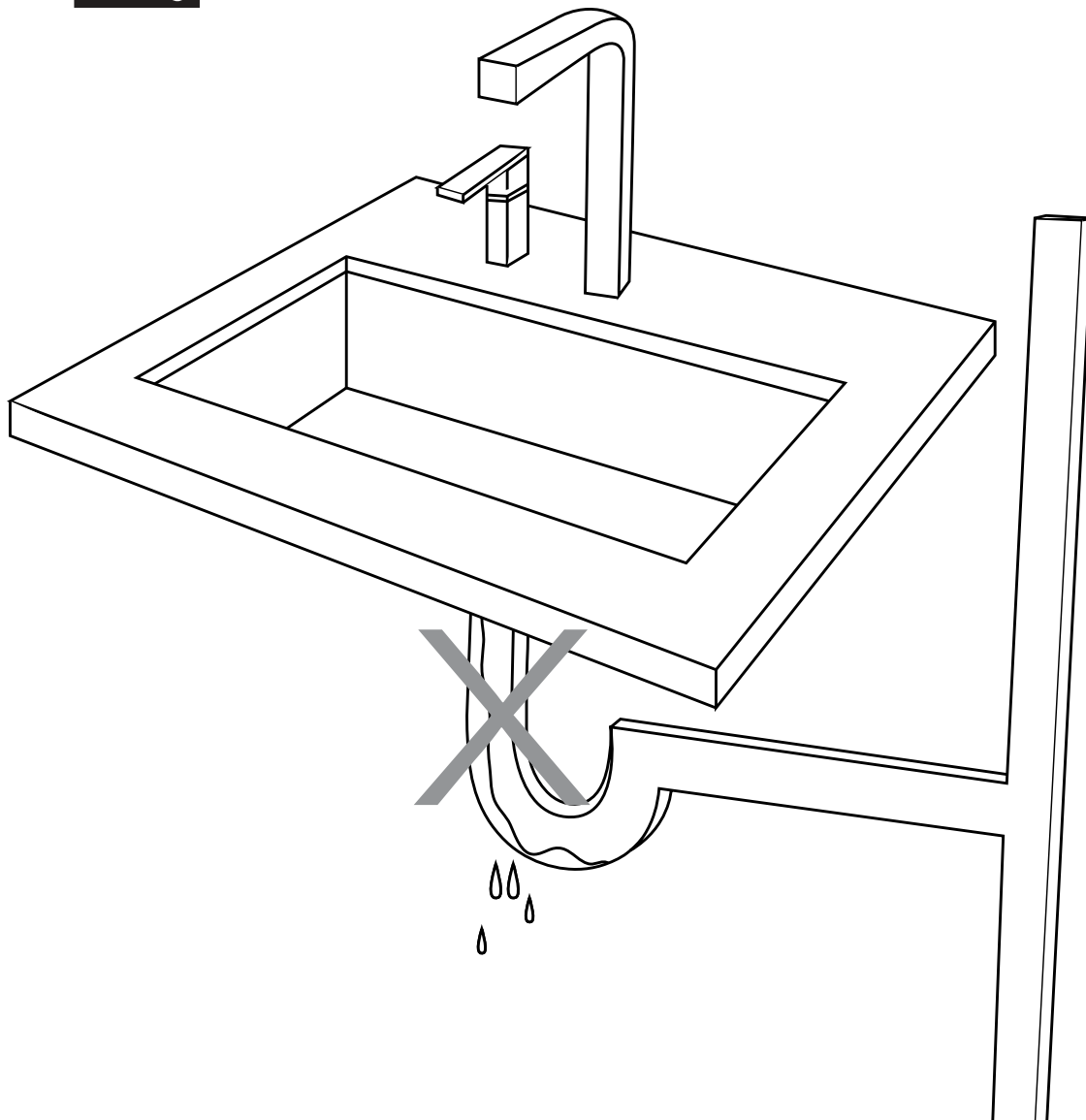
Avoid abrasive cleaners containing bleach, ammonia, or acids. Do not use harsh scrubbing materials such as brillo, steel wool, or scrubbing brushes.



### 3.

No running water poured in or on cabinetry. If water gets on the surface wipe immediately.



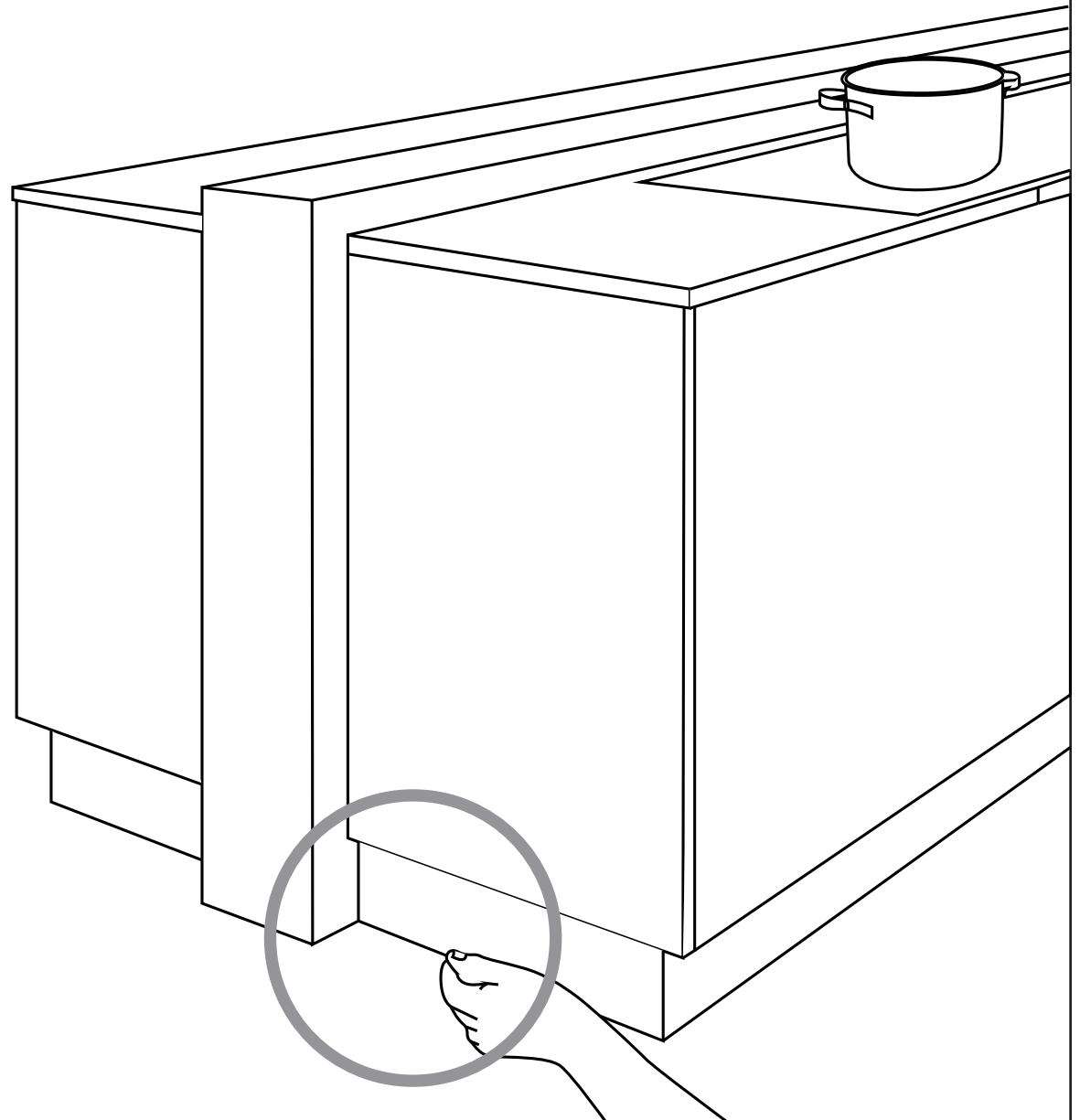


**4.**  
Attend to leaks promptly.



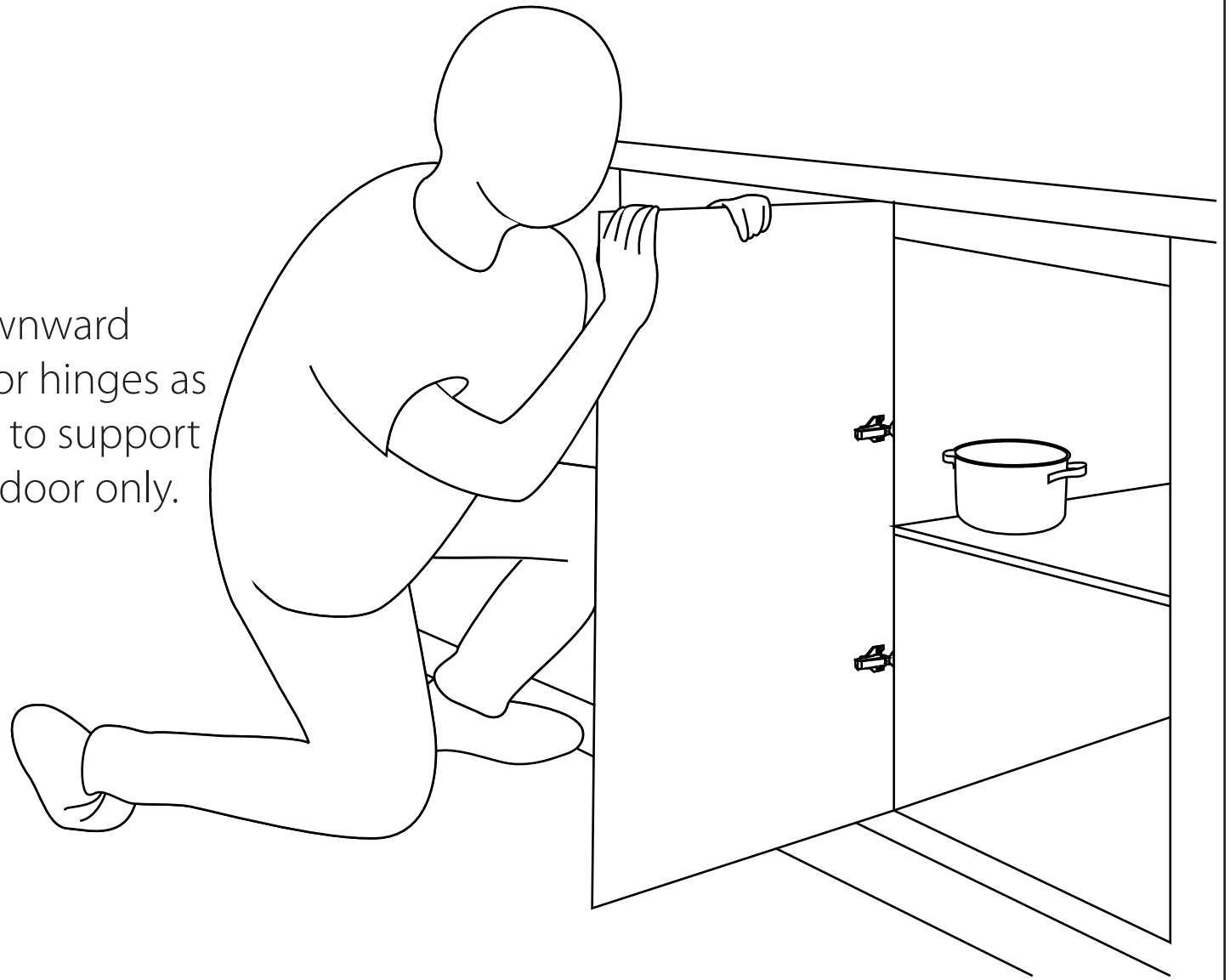
## 5.

Toekick and plinth panels are gasket sealed to the floor. Be cautious when mopping around panels that touch the floor as these should not absorb water.



## 6.

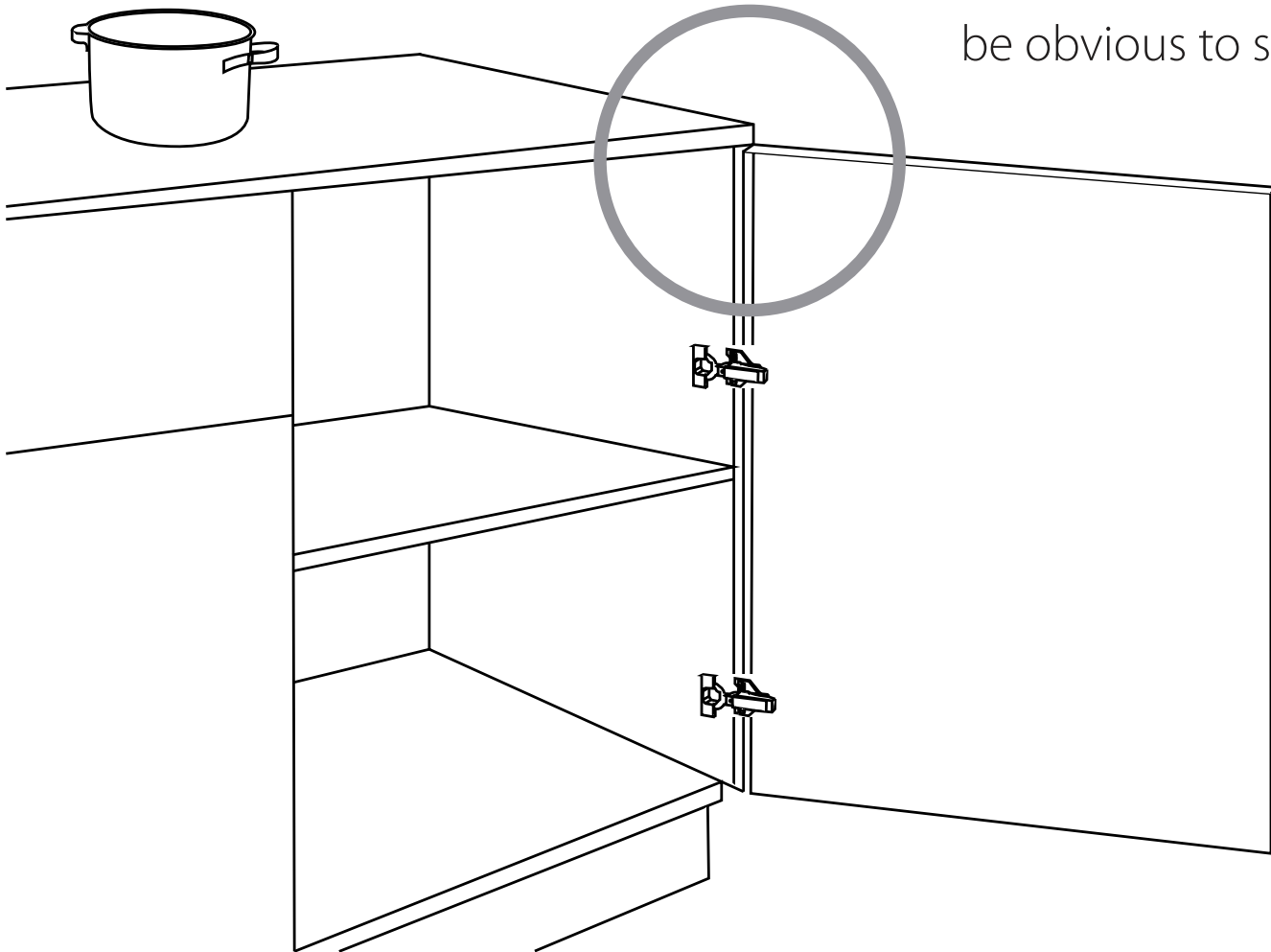
Avoid putting downward force onto the door hinges as they are designed to support the weight of the door only.





## 7.

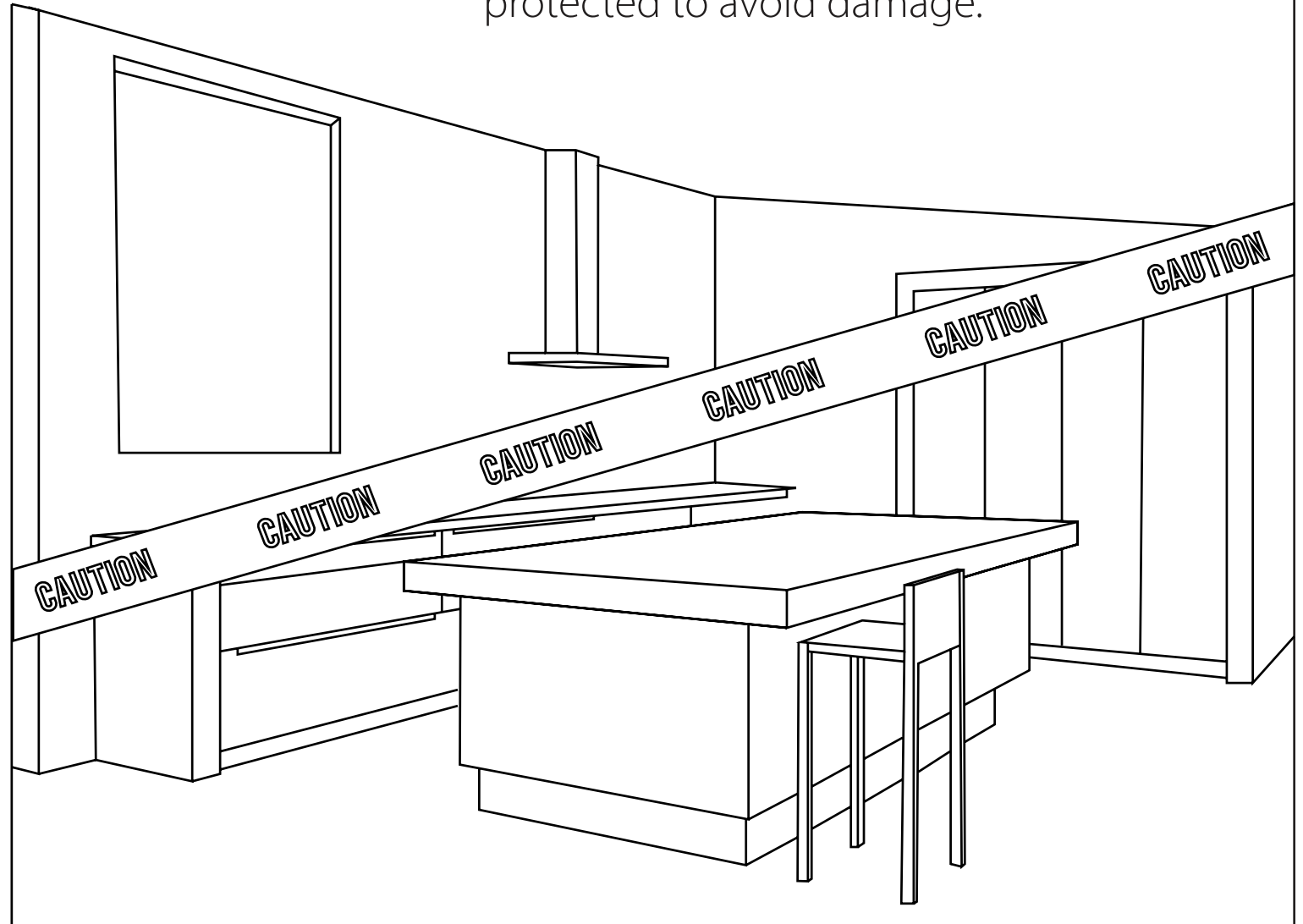
Do not overextend the door hinge.  
Max extension is 105 degree and 155  
degree depending on your hinge.  
You will detect resistance and it will  
be obvious to stop.





## 8.

If home or kitchen is under renovation, cabinets should be covered and protected to avoid damage.



## 9.

Load weight in drawers evenly and not all to one side or the other. This causes the drawer hardware to glide unevenly and the drawer to not operate properly.

